



PHDESK15 Phantom 50 SERIES 1000W 480V ENCLOSED

The Commercial DE Enclosed Lighting System features state-of-the-art double-ended technology that uniformly delivers optimum PAR value over a broad footprint.

The reflector was specifically designed to optimize the high output of DE lamps. In a standard, traditional spread it yields very high intensity when positioned close to the canopy. When raised higher above the canopy it provides uniform distribution of powerful illumination over a broader area.

Phantom 50 Series 1000W 480V System

Model	PHDESK15
Lamp Type	European Agrosun 1000W DE HPS
Lamp Output	2100 μ mol/s PPF
Lamp Lifetime	10000 hrs
Reflector	Enclosed DE
Reflector Material	European 99.85% pure, 95% reflectivity
Ballast	Phantom "Smart" 1000W, 50 series
Ballast and Armature Material	Aluminum
Socket	European VS K12 x 30s
Fixture Weight	12.1

Phantom 50 Series Ballast Electrical Specifications

Model	PHB5030
Lamp Power	1000W
Main Voltage	480V
Operating Voltage Range	450–510V
Max Input Power	1215W
Output Power Settings	600W-750W-825W-1000W-1150W
Power Factor	> 0.98
Frequency	50/60Hz
Igniter Voltage	3-5 kV
THD	< 8%
CF	1.414-1.6
ta	40°C/104°F
tc	70°C/158°F

Phantom 50 Series Ballast Input Amperage Reference

Voltage	480V
Imax	2.6A
1150W	2.5A
1000W	2.2A
825W	1.8A
750W	1.6A
600W	1.3A

Phantom 50 Series Ballast Features

Microprocessor Control	Yes
LED Status Indicator	Yes
Open Circuit Protection	Yes
Open Circuit Indicator	Yes
Short Circuit Protection	Yes
Short Circuit Indicator	Yes
Overtemperature Protection	Yes
Overtemperature Indicator	Yes
End-of-Lamp-Life Sensor	Yes
End-of-Lamp-Life Indicator	Yes
Over/Undervoltage Protection	Yes
Over/Undervoltage Indicator	Yes
Patented Ignition Control	Yes
USB Port to Integrate with Lighting Controller	Yes
Auto-restrike Protection	Yes
Internal EMI Suppression	Yes
8' 600V 16/3 AWG Power Cord	Yes
NEMA L8-20P Twist Lock Plug	Yes
Gore-Tex® Vent Plug	Yes

Phantom 50 Series Safety Certifications

IC	Yes
CSA	Yes
UL	No
FCC Commercial	Yes
FCC Residential	No

Phantom 50 Series Operation Notes

For use with a generator, line conditioning equipment to control input voltage must be used in order to avoid damage to the ballasts. Contact us for more information.

Phantom 50 Series Optional Accessories

* Designed to easily mount your Phantom fixture from Unistrut® or greenhouse C-channel strut for secure, level suspension.

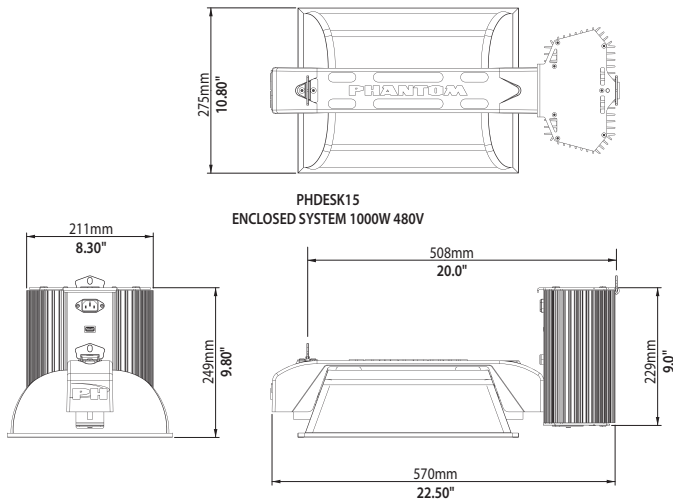


(PHDETH1 – sold separately)

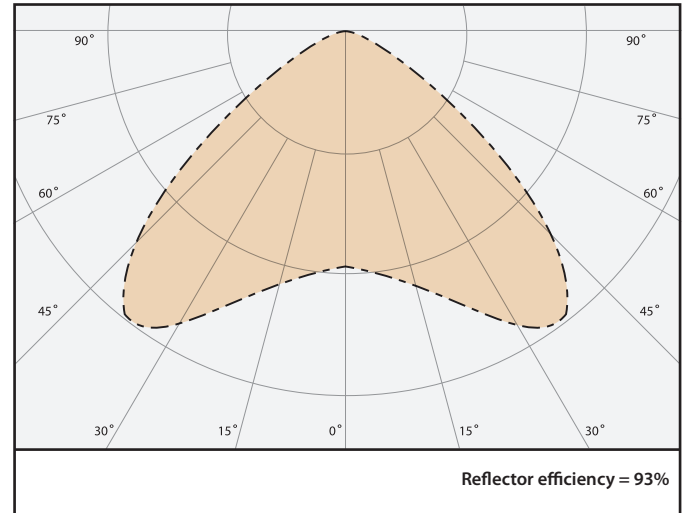


PHANTOM 50 SERIES 1000W 480V ENCLOSED

Dimensional Drawing



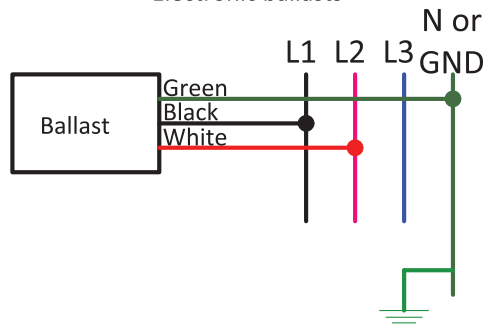
Polar Diagram



Each ballast **MUST** be wired to the main's neutral line back to the circuit. **DO NOT** "daisy-chain" a neutral line with any other ballast.

480V

(Supply voltage 480V)
Electronic ballasts



⚠ WARNING: FAILURE TO FOLLOW GUIDELINES COULD RESULT IN ELECTRICAL SHOCK.

Do not touch, move, spray, or clean your light fixture when it is plugged in. Allow it to cool down before handling. Recommended mounting clearance for your fixture is 8"-12" on all sides. Do not mount directly to any surface. Make sure to disconnect the power when changing the lamp. This tech sheet is not in any way a replacement for a technical installation manual. Consult technical installation manual prior to installation.

All rights reserved.

Specifications are subject to change without notice. Trademarks are the property of Hydrofarm.

Agrosun DE Lamp

