



### Description

The 020-AEC-02 conductivity probe features a 316 stainless that will satisfy just about any industrial, power plant or laboratory application. This technology insures that, with reasonable maintenance, years of drift free performance can be expected.

Five cell constants from 0.01 to 50 are available to cover any water sample between pure water and saline conditions. All types are designed with a safety stop shoulder on the cell.

Integral automatic temperature compensation Pt1000RTD is standard and provides compensation to 25°C when used with a compatible analyzer.

Either element is place to give close thermal contact with the liquid being measured to assure fast response to changing temperature.

Flow-through mounting incorporates a special compression fitting which allows adjustable insertion length in 3/4 inch NPT piping or in the side of a tank. This design avoids the nuisance of disconnecting the cell cable when installing or removing the cell for cleaning.

### Features

- CPVC shell
- 316 SS Electrodes
- Pt1000RTD Automatic Temperature Compensation Device
- Adjustable Insertion Length
- Five Cell Constants to choose from: 0.01, 0.1, 1, 10 and 50

### Applications

- High purity water applications
- Pharmaceutical Applications
- Reverse osmosis systems
- Food and Beverage
- Aquaculture
- Agriculture



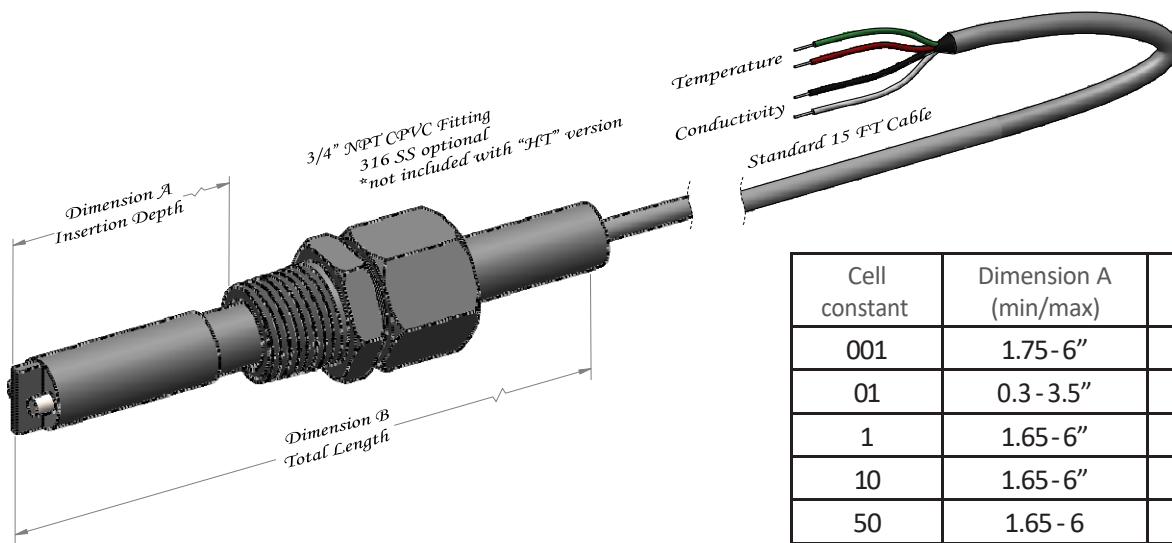
2190 Washington Avenue  
Alvin, TX 77511  
281-585-9040  
[www.TotalGrowControl.com](http://www.TotalGrowControl.com)

# Conductivity Sensor

## Technical Data

Measuring Range (Depends on controller) For AM-2250:	k=001	k=01	k=1	k=10	k=50
	0.2-10 $\mu$ S/cm	10-500 $\mu$ S/cm	100-5000 $\mu$ S/cm	5-250mS/cm	10-500mS/cm
Wetted Materials	CPVC, epoxy, EPDM, 316Stainless Steel				
Insertion type	Variable insertion length, 3/4" NPT fitting				
Temperature Limits	23 to 176°F (-5 to 80°C) at atmospheric pressure				
Maximum Pressure	100 psig at 150°F (65°C)				
Temperature Compensation	Standard Pt1000 $\Omega$ RTD.				
Sensor Cable	4-conductor, unshielded, 15 ft (4.5m) standard.				

## Dimensions



Cell constant	Dimension A (min/max)	Dimension B
001	1.75 - 6"	7.25"
01	0.3 - 3.5"	5.8"
1	1.65 - 6"	5.8"
10	1.65 - 6"	7.35"
50	1.65 - 6"	7.35"