

## PTB3300LS1 / PTB4300HS1

PHOTOBIO•T LED, 325W, 100–277V

PHOTOBIO•T LED, 325W, 277–480V

**S1 SPECTRUM**

PHOTOBIO•T represents the apex of high efficiency LED Top lights. The fixture's industry leading PHOTO•PRO Photon Regulating Optics deliver more light to canopy using less energy. PHOTO•LOC Light Output Control enables real-time control through any 0–10v signal. Slim linear design minimizes sunlight interference in greenhouses and is IP65 wet location rated. High efficiency, long lifetime, maintenance free, together means lower cost of ownership.

### System Overview

Model	PTB3300LS1 / PTB4300HS1
Fixture Type	High Efficiency Horticultural LED
Spectrum	S1
Photon Flux (PAR 400–700 nm)	575 $\mu\text{mol/s}$
Photon Flux (PBAR 280–800 nm)	680 $\mu\text{mol/s}$
Input Power (W)	325
Efficacy (280–800 nm)	2.1 $\mu\text{mol/J}$
Input Voltage Range	100–277V Auto Recognition 277–480V Auto Recognition
Lifetime	L90: > 50,000hr
Optics	PHOTO•PRO Photon Regulating Optics
Dimmable	PHOTO•LOC Light Output Control (0–10V)
Driver	Output Compensating IP67 Driver
Operating Environment	Wet Location
Ingress Protection Rating	IP65
Warranty Period	5 Year

### Electrical Specifications

Model	PTB3300LS1 / PTB4300HS1
Fixture Power (W)	325
Input Voltage Range	100–277V / 277–480V
Max Voltage Range	90–305V
Max Input Power	355
Power Factor	0.95
Frequency	50/60Hz
THD	<20%

### Input Amperage Reference

Voltage Input	120V	208V	277V
Typical Amperage	2.71	1.56	1.35
Max Amperage	2.98	1.72	1.29
Voltage Input	347V	400V	480V
Typical Amperage	0.94	0.81	0.68
Max Amperage	1.03	0.89	0.74

### Operating Conditions

Rated Operating Temperature	77°F / 25°C
Minimum Operating Temperature	-4°F / -20°C
Maximum Operating Temperature	104°F / 40°C
Operating Environment	Wet Location
Ingress Protection Rating	IP65

### Safety Certifications

Certification Mark	ETL & CE
Conforms to UL 1598	Yes
Conforms to CSA C22.2 # 250.0	Yes
Compliant to OOI UL 8800	Yes
FCC Commercial	Yes
FCC Residential	Yes

### Driver Specifications

Microprocessor Control	Yes
Open Circuit Protection	Yes
Short Circuit Protection	Yes
Overtemperature Protection	Yes
Over/Undervoltage Protection	Yes
Over/Undervoltage Indicator	Yes
Output Compensation	Yes
IP Rated 0–10V	Yes
Internal EMI Suppression	Yes
Wieland RST Male AC Input	Yes

### Operation Notes

For use with a generator, line conditioning equipment to control input voltage must be used in order to avoid damage to fixture. Product is not designed to use with residential power strip. Failure to observe these warnings will result in void of warranty. Contact us for more information.

Clean lens with a damp microfiber cloth.

### Cable Harnesses

Specific cable harness sold separately based on facility requirements.



Wieland Female Cable Harness 8' Black, 18AWG w/ No Plug (bare whip)  
SKU: BAFLTEXT1



Wieland Female Cable Harness 8' Black, 18AWG w/277V Locking Plug, L7-15P  
SKU: BAFLTEXT2



Wieland Female Cable Harness 8' Black, 18AWG w/110-120V Plug, 5-15P  
SKU: BAFLTEXT4



Wieland Female Cable Harness 8' Black, 18AWG w/208-240V Plug, 6-15P  
SKU: BAFLTEXT5



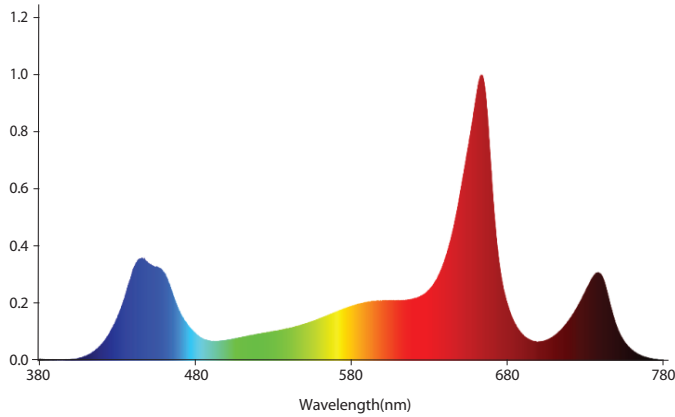
# PTB3300LS1 / PTB4300HS1

PHOTOBIO•T LED, 325W, 100–277V  
 PHOTOBIO•T LED, 325W, 277–480V

## S1 SPECTRUM

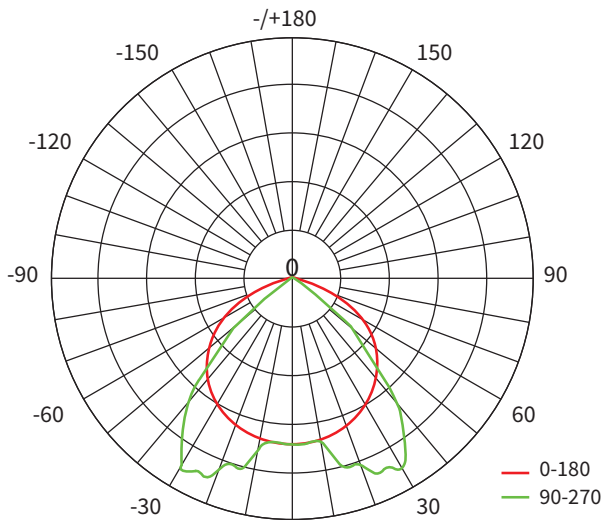
### S1 Spectrum

Relative Spectral Power Distribution

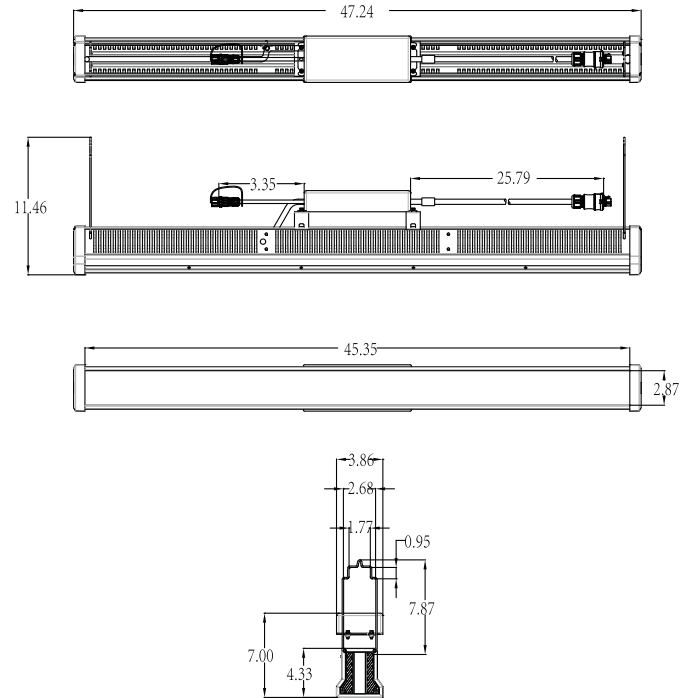


**S1 Spectrum:** Developed for businesses that are heavily focused on flower production for the eventual extraction of pharmaceutical grade concentrates. Provides UV and Far Red outside of the PAR range. UV is responsible for increased terpene content, pest and pathogen resistance, and color expression. Far Red light is responsible for increased leaf size, which contributes to driving other processes in the plant. More leaf surface area increases photosynthesis, which in turn increases flower and fruit biomass. S1 is designed for application exclusively in flowering phase.

### Polar Diagram



### Dimensional Drawing



### Mechanical Specifications

Dimensions (L x W x H)	1200 x 178 x 98 mm / 47.24" x 7" x 3.86"
Net Weight	5.6 kg / 12.35 Lb
Thermal Management	Passive
Material	Aluminum, Glass, PC, Stainless Steel