

PTB5600LS4 / PTB6600HS4

PHOTOBIO•T DUO LED, 600W, 100–277V PHOTOBIO•T DUO LED, 600W, 277–480V S4 SPECTRUM



PHOTOBIO•T Duo LED Top Light can be applied indoors or in greenhouse environments. The fixture's industry leading PHOTO•PRO Photon Regulating Optics deliver more light to canopy using less energy. PHOTO•LOC Light Output Control enables real-time control through any 0–10v signal. Independent light bars can be angled outward at 0°, 10°, and 20° to adjust the coverage or produce asymmetric light distribution to ensure light is not being wasted on walls or aisles. High efficiency, long lifetime, maintenance free, together means lower cost of ownership.

System Overview

Model	PTB5600LS4 / PTB6600HS4
Fixture Type	High Efficiency Horticultural LED
Spectrum	S4
Photon Flux (PAR 400–700 nm)	1460 µmol/s
Photon Flux (PBAR 280–800 nm)	1500 µmol/s
Input Power (W)	600
Efficacy (280–800 nm)	2.5 µmol/J
Input Voltage Range	100–277V Auto Recognition 277–480V Auto Recognition
Lifetime	L90: > 50,000hr
Optics	PHOTO•PRO Photon Regulating Optics
Dimmable	PHOTO•LOC Light Output Control (0–10V)
Driver	Output Compensating IP67 Driver
Operating Environment	Wet Location
Ingress Protection Rating	IP65
Warranty Period	5 Year

Electrical Specifications

Model	PTB5600LS4 / PTB6600HS4		
Fixture Power (W)	600		
Input Voltage Range	100–277V / 277–480V		
Max Voltage Range	90–305V / 250–528V		
Max Input Power	658		
Power Factor	0.95		
Frequency	50/60Hz		
THD	<20%		

Input Amperage Reference

Voltage Input	120V	208V	277V
Typical Amperage	5.00	2.88	2.50
Max Amperage	5.50	3.17	2.38
Voltage Input	347V	400V	480V
Typical Amperage	1.73	1.50	1.25
Max Amperage	1.90	1.65	1.38

Operating Conditions

Rated Operating Temperature	77°F / 25°C
Minimum Operating Temperature	-4°F / -20°C
Maximum Operating Temperature	104°F / 40°C
Operating Environment	Wet Location
Ingress Protection Rating	IP65

Safety Certifications

Certification Mark	ETL & CE
Conforms to UL 1598	Yes
Conforms to CSA C22.2 # 250.0	Yes
Compliant to OOI UL 8800	Yes
FCC Commercial	Yes
FCC Residential	Yes

Driver Specifications

Microprocessor Control	Yes
Open Circuit Protection	Yes
Short Circuit Protection	Yes
Overtemperature Protection	Yes
Over/Undervoltage Protection	Yes
Over/Undervoltage Indicator	Yes
Output Compensation	Yes
IP Rated 0–10V	Yes
Internal EMI Suppression	Yes
Wieland RST Male AC Input	Yes

Operation Notes

For use with a generator, line conditioning equipment to control input voltage must be used in order to avoid damage to fixture. Product is not designed to use with residential power strip. Failure to observe these warnings will result in void of warranty. Contact us for more information.

Clean lens with a damp microfiber cloth.

Cable Harnesses

Specific cable harness sold separately based on facility requirements.



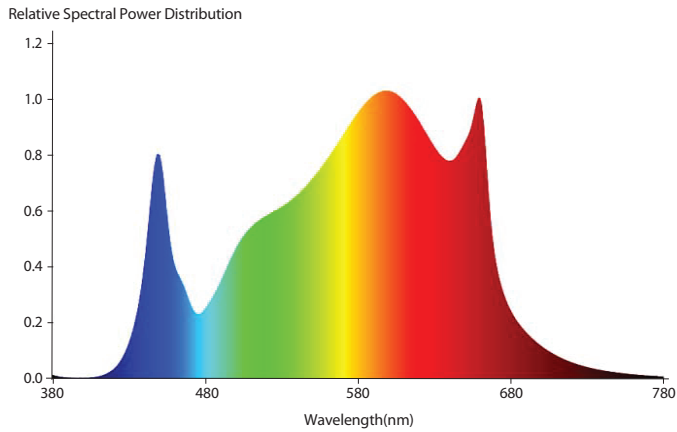
Wieland Female Cable Harness 8' Black, 18AWG w/ No Plug (bare whip) SKU: BAFLTEXT1	Wieland Female Cable Harness 8' Black, 18AWG w/277V Locking Plug, L7-15P SKU: BAFLTEXT2	Wieland Female Cable Harness 8' Black, 18AWG w/110-120V Plug, 5-15P SKU: BAFLTEXT4	Wieland Female Cable Harness 8' Black, 18AWG w/208-240V Plug, 6-15P SKU: BAFLTEXT5
---	--	---	---



PTB5600LS4 / PTB6600HS4

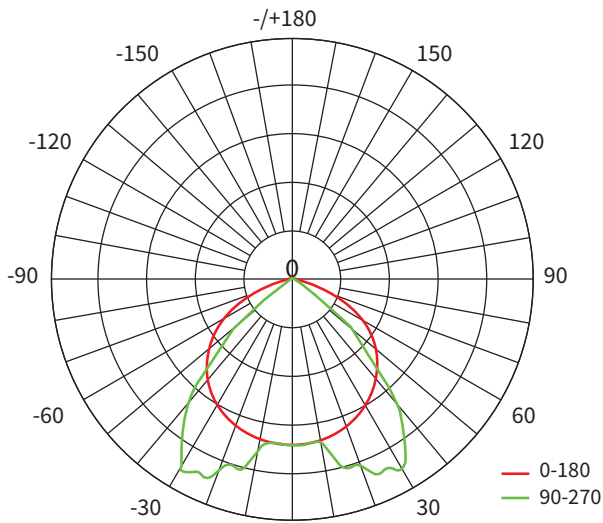
PHOTOBIO•T DUO LED, 600W, 100–277V
 PHOTOBIO•T DUO LED, 600W, 277–480V
 S4 SPECTRUM

S4 Spectrum

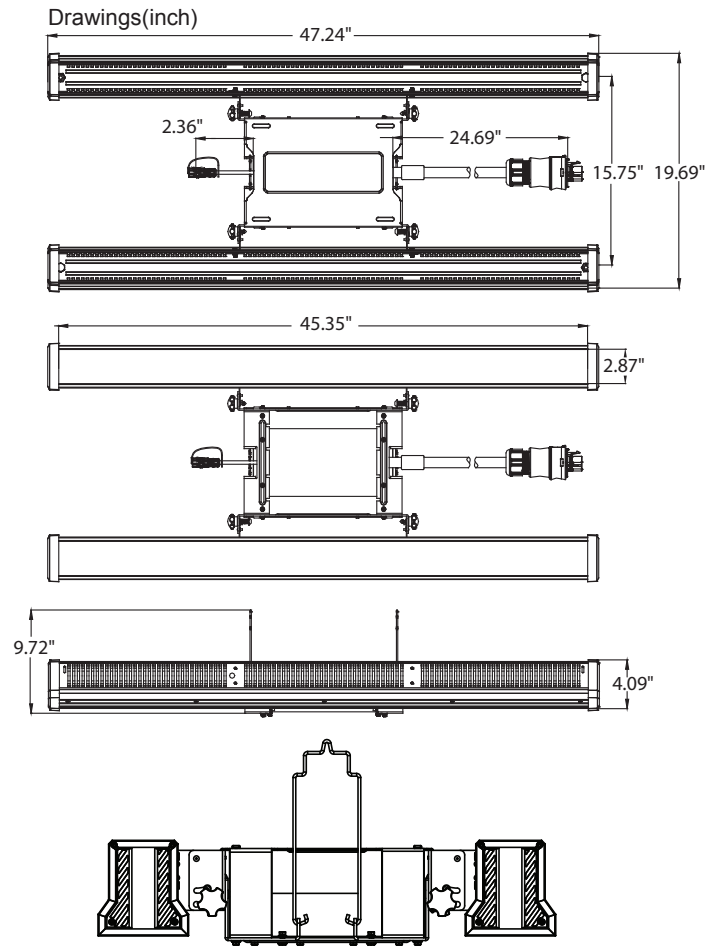


S4 Spectrum: Provides highly efficient full spectrum with a healthy red-to-blue ratio to drive photosynthesis. Light energy between 500–599nm, previously thought wasted, penetrates deeper into the plant canopy promoting photomorphogenic responses. High color rendering "white" light aids to rapidly identify potential threats to your crop and provides superior working conditions and safety for personnel. Ideal for both flowering and vegetative production.

Polar Diagram



Dimensional Drawing



Mechanical Specifications

Dimensions (L x W x H)	1200 x 500 x 110 mm / 47.24" x 19.69" x 4.33"
Net Weight	12.15 kg / 26.79 Lb
Thermal Management	Passive
Material	Aluminum, Glass, PC, Stainless Steel