



PHDESK16 Phantom Core 1000W 277-347V ENCLOSED

The Core DE Enclosed Lighting System features state-of-the-art double-ended technology that uniformly delivers optimum PAR value over a broad footprint.

The reflector was specifically designed to concentrate the high output of DE lamps in a standard, traditional spread, yielding very high intensity when positioned closer to the canopy, or a wider distribution of still powerful illumination when raised higher.

Phantom Core 1000W 277-347V System

Model	PHDESK16
Lamp Type	Digilux Pro DE 1000W
Lamp Output	2100 µmol/s
Lamp Lifetime	10000 hrs
Reflector	Enclosed DE
Reflector Material	European 99.85% pure, 95% reflectivity
Ballast	Phantom 1000 W, non dimmable
Ballast and Armature Material	Aluminum
Socket	European VS K12 x 30s
Fixture Weight	12.1

Phantom Core 1000W Ballast Electrical Specifications

Model	PHB14035A
Lamp Power	1000W
Main Voltage	277-347V
Operating Voltage Range	249-380V
Max Input Power	1050W
Output Power Settings	1000W
Power Factor	> 0.98
Frequency	50/60Hz
Igniter Voltage	3-5 kV
THD	<10%
CF	<1.6
ta	40°C/104°F
tc	70°C/158°F

Phantom Core Ballast Input Amperage Reference

Voltage	277V	347V
I _{max}	4.2A	3.4A
1000W	3.8A	3.0A

Phantom Core Ballast Features

Microprocessor Control	Yes
LED Status Indicator	No
Open Circuit Protection	Yes
Open Circuit Indicator	No
Short Circuit Protection	Yes
Short Circuit Indicator	No
Overtemperature Protection	Yes
Overtemperature Indicator	No
End-of-Lamp-Life Sensor	Yes
End-of-Lamp-Life Indicator	No
Over/Undervoltage Protection	Yes
Over/Undervoltage Indicator	No
Patented Ignition Control	Yes
USB Port to Integrate with Climate Controls	No
Auto-restrike Protection	Yes
Internal EMI Suppression	Yes
8' 277V 16/3 AWG Power Cord	Yes
NEMA L7-15P Twist Lock Plug	Yes
Gore-Tex® Vent Plug	No

Phantom Core 1000W Safety Certifications

CSA	Yes
UL	No
FCC Commercial	Yes
FCC Residential	No

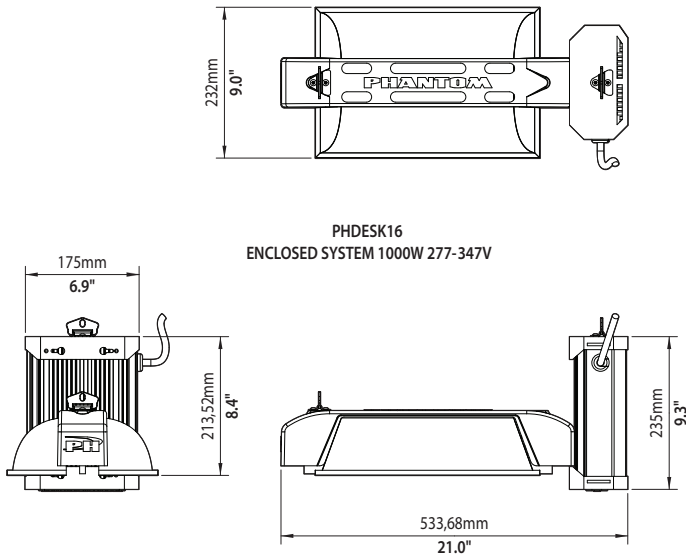
Phantom Core Operation Notes

For use with a generator, line conditioning equipment to control input voltage must be used in order to avoid damage to the ballasts. Contact us for more information.

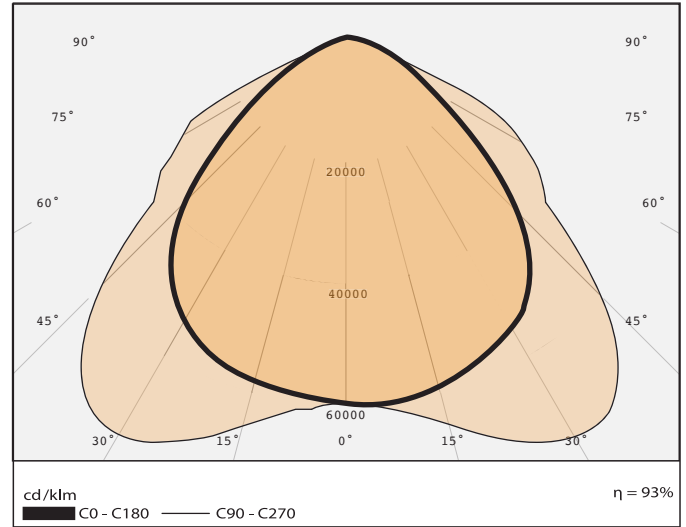
Includes C-Channel wire hangers.

PHANTOM CORE 1000W 277-347V ENCLOSED

Dimensional Drawing



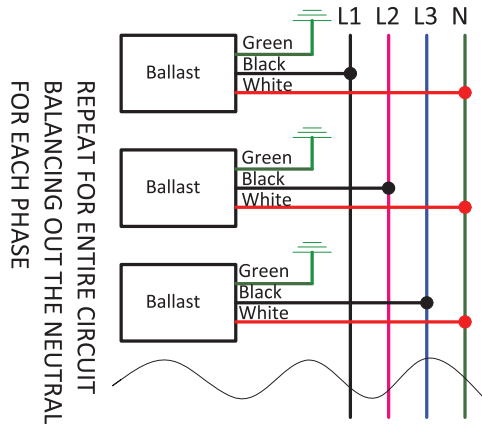
Candela Distribution



Each ballast **MUST** be wired to the main's neutral line back to the circuit. **DO NOT** "daisy-chain" a neutral line with any other ballast.

277V/347V

(Supply voltage 480V/600V)



⚠ WARNING: FAILURE TO FOLLOW GUIDELINES COULD RESULT IN ELECTRICAL SHOCK.

Do not touch, move, spray, or clean your light fixture when it is plugged in. Allow it to cool down before handling. Recommended mounting clearance for your fixture is 8"-12" on all sides. Do not mount directly to any surface. Make sure to disconnect the power when changing the lamp. This tech sheet is not in any way a replacement for a technical installation manual. Consult technical installation manual prior to installation.

All rights reserved.

Specifications are subject to change without notice. Trademarks are the property of Hydrofarm.

Digilux Pro DE Lamp

