
INSTRUCTIONS

ActiveAQUA[®]

HYDRO  CULTURE

LOW PROFILE TRAY STAND - SMALL



AASFT24S – Low Profile Tray Stand
AASLH24 – Light Hanger (optional)

INSTRUCTIONS

Thank you for purchasing the Active Aqua Low Profile Tray Stand. This 2' x 4' stand supports Active Aqua 2' x 4' flood tables (and most any other brand of 2' x 4' flood tables) and allows you to move them easily when necessary.

WHAT'S IN THE BOX

BOTTOM STAND PARTS LIST (AASFT24S)

- A - Corner Leg, Low Profile Height w/casters (2)
- B - Corner Leg, Low Profile Height w/casters (2)
- C - Side Rail (2)
- D - End Rail (2)
- E - Center Support Rail Assembly (1)
- F - Corner Retainer (2)
- G - Corner Retainer (2)

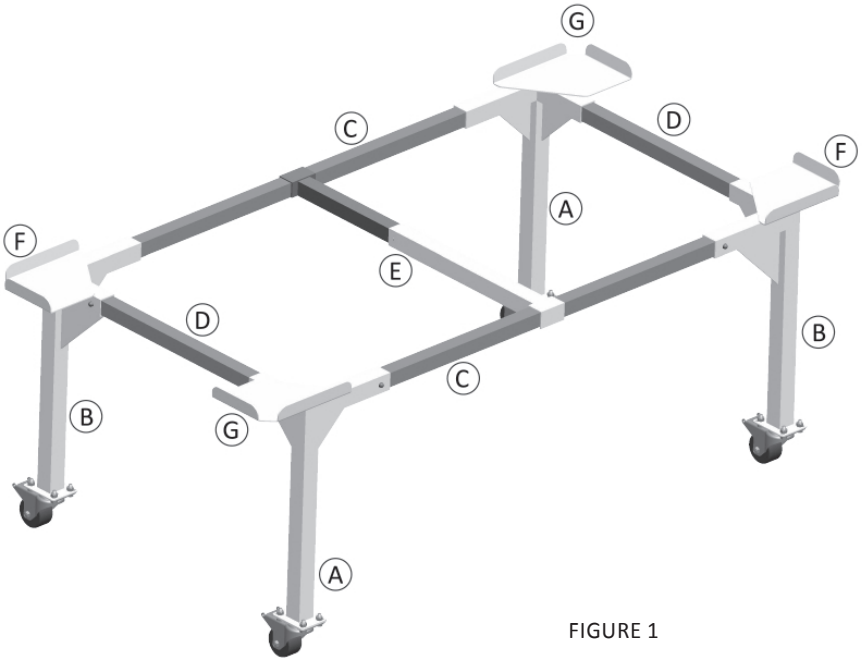


FIGURE 1

INSTRUCTIONS

ASSEMBLY INSTRUCTIONS (FOR BOTTOM STAND ONLY AASFT24S)

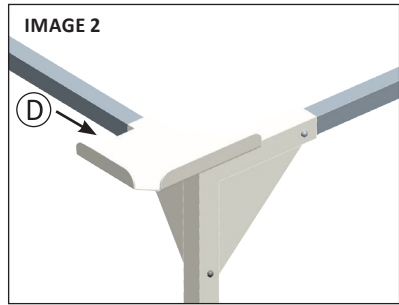
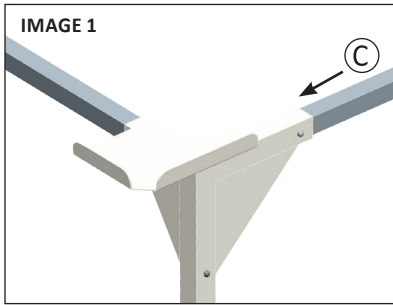
Remove all of the parts from the packaging and set the hardware aside. Group all of the stand parts together based on type for ease of locating and assembly, i.e. corner legs together, side rails together, end bars together, etc. All parts will be marked with a letter corresponding to the parts list on page 2.

1. Begin by inserting the Side Rails C into the Corner Legs A and B, locking them into position with the spring buttons (**IMAGE 1**).

IMPORTANT: You must install Corner Legs A at corners diagonally opposite from each other, and Corner Legs B at the two remaining corners, as shown in Figure 1. Otherwise, the Corner Retainers will not fit properly.

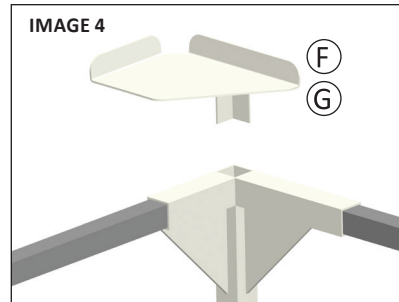
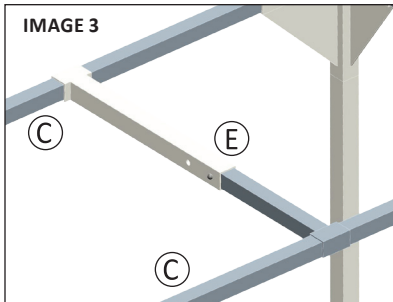
NOTE: If you are adding a Light Hanger to your bottom stand, **STOP HERE** and skip ahead to the steps for **ASSEMBLY INSTRUCTIONS (WITH OPTIONAL LIGHT HANGER AASLH24)**, on page 4.

2. Next, insert the End Rails D into the remaining openings in the Corner Legs A and B, locking



them into position with the spring buttons (**IMAGE 2**).

3. Connect Center Support Rail Assembly E, locking it into proper position with the spring button (**IMAGE 3**).
4. Now you can insert the Corner Retainers F and G, placing them as shown in Figure 1. Be sure to place the Corner Retainers F at opposite corners to each other and the Corner Retainers G at opposite corners to each other as you did with the legs (**IMAGE 4**).



INSTRUCTIONS

ASSEMBLY INSTRUCTIONS (WITH OPTIONAL LIGHT HANGER AASLH24)

Remove all of the parts from the packaging and set the hardware aside. Check to be sure that the hardware includes all four (4) Lynch Pins and four (4) Butterfly Thumb Screws.

Group all of the stand parts together based on type for ease of locating and assembly, i.e. corner legs together, side rails together, end bars together, etc. All parts will be marked with a letter corresponding to the parts list below.

LIGHT HANGER PARTS LIST (AASLH24)

A1 - Vertical Light Bar (2)

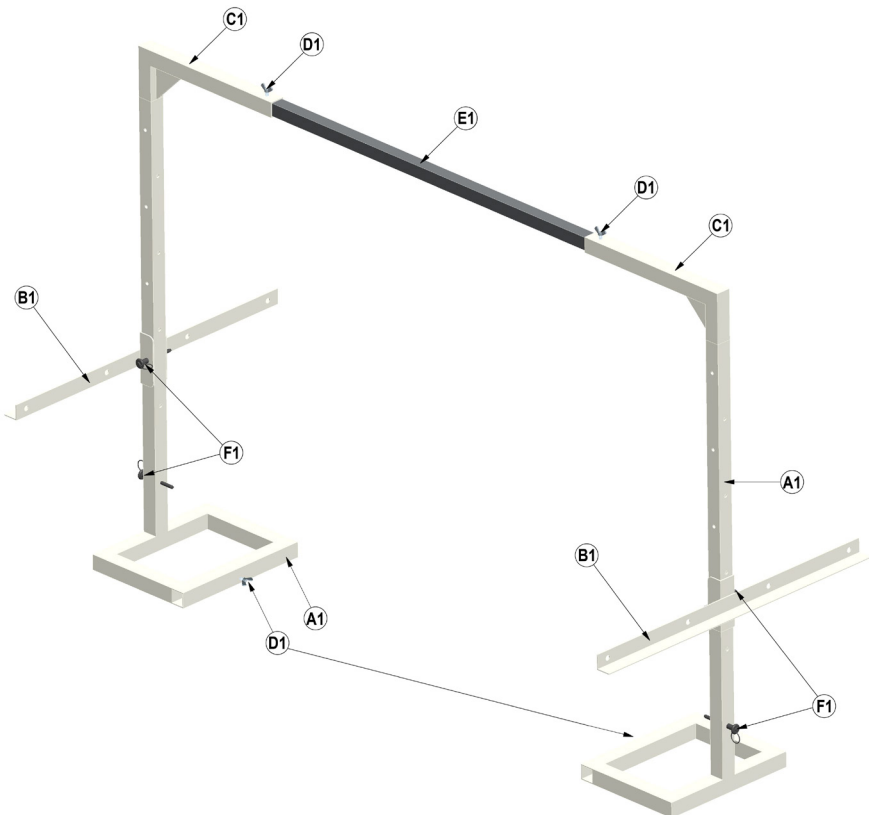
B1 - Trellis Bar (2)

C1 - Horizontal Light Bar (2)

D1 - Butterfly Thumb Screw (4)

E1 - Center Light Bar (1)

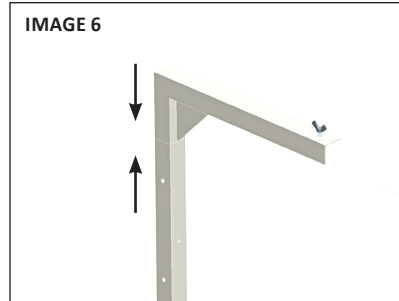
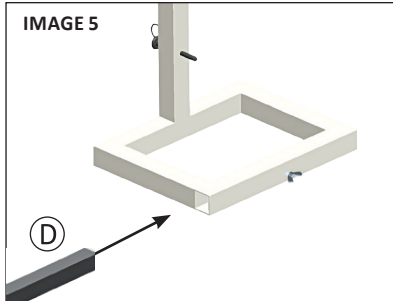
F1 - Lynch Pin (4)



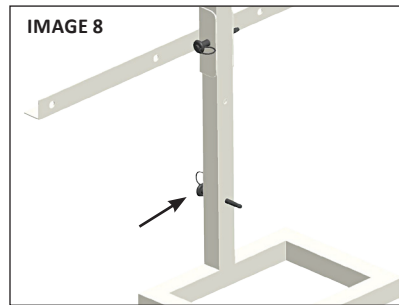
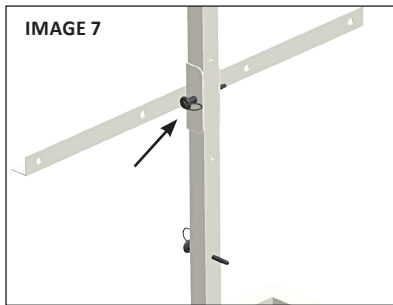
INSTRUCTIONS

You've already begun assembling the Tray Stand by installing the Side Rails C into the Corner Legs A and B (**IMAGE 1**). Now you will assemble the Light Hanger and connect it to the Tray Stand.

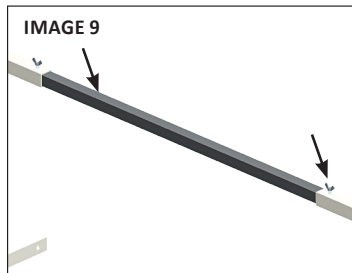
1. Install the End Rails D into the foundation squares of the Vertical Light Bars A1 (**IMAGE 5**). Secure each end rail and foundation square together with one of the butterfly thumb screws D1.
2. Attach the Horizontal Light Bars C1 to the Vertical Light Bars A1 (**IMAGE 6**).



3. Attach Trellis Bars B1 to the Vertical Light Bars A1 and lock them in place using Lynch Pins F1 (**IMAGE 7**).
4. Adjust the Light Hanger to the desired height, and insert the second pair of Lynch Pins F1 into the Vertical Light Bars A1 to secure it in position (**IMAGE 8**).



5. To adjoin the two vertical bar sections, insert the Center Light Bar E1 into the Horizontal Light Bars C1 and secure it using both Butterfly Thumb Screws D1 (**IMAGE 9**).



6. Complete the assembly by inserting the Corner Retainers F and G, placing them as shown in **IMAGE 4**. Be sure to place the Corner Retainers F at corners diagonally opposite to each other, and the Corner Retainers G at the remaining corners, as shown in Figure 1.

WARRANTY



LIMITED WARRANTY

Hydrofarm warrants the **AASFT24S** to be free from defects in materials and workmanship. The warranty term is for one year beginning on the date of purchase. Misuse, abuse, or failure to follow instructions is not covered under this warranty. Hydrofarm's warranty liability extends only to the replacement cost of the product. Hydrofarm will not be liable for any consequential, indirect, or incidental damages of any kind, including lost revenues, lost profits, or other losses in connection with the product. Some states do not allow limitation on how long an implied warranty lasts or the exclusion of incidental or consequential damages, so the above limitations or exclusions may not apply to you. Hydrofarm will, at our discretion, repair or replace the **AASFT24S** covered under this warranty if it is returned to the original place of purchase. To request warranty service, please return the **AASFT24S**, with original sales receipt and original packaging, to your place of purchase. The purchase date is based on your original sales receipt.

GARANTIE LIMITÉE

Hydrofarm garantit que le **AASFT24S** ne présente aucun défaut de pièces et main-d'œuvre. La période de garantie est d'un an à partir de la date d'achat. Une utilisation incorrecte, abusive, ou le non-respect des instructions n'est pas couvert(e) par cette garantie. La responsabilité de la garantie Hydrofarm couvre uniquement le coût de remplacement du produit. Hydrofarm ne pourra être tenu responsable des dommages consécutifs, indirects ou fortuits de tout type, y compris les pertes de revenus, de profits ou autres en rapport avec le produit. Certains états n'autorisent aucune limite concernant la durée de la garantie implicite ou l'exclusion des dommages fortuits ou consécutifs ; les limites ou exclusions mentionnées ci-dessus peuvent donc ne pas être applicables à votre cas. Hydrofarm se réserve le droit de réparer ou remplacer le **AASFT24S** couvert par cette garantie si celui-ci est renvoyé au lieu d'achat d'origine. Pour solliciter le service de garantie, veuillez renvoyer le **AASFT24S** avec sa facture et son emballage d'origine à votre lieu d'achat. La date d'achat est indiquée sur votre facture originale.

GARANTÍA LIMITADA

Hydrofarm garantiza que el **AASFT24S** no presentará defectos de fabricación. La garantía tendrá una duración de un año desde la fecha de compra. En caso de no respetarse estas instrucciones o de un uso inadecuado del producto, la garantía no cubrirá los posibles daños. La cobertura de la garantía ofrecida por Hydrofarm únicamente incluye los costes de sustitución del producto. Hydrofarm no será responsable de ningún daño indirecto, accidental o derivado de ningún tipo, incluyendo pérdidas de ingresos o beneficios, o cualquier otra pérdida relacionada con el producto. En algunos estados no se permiten limitaciones sobre la duración de una garantía implícita o la exclusión de los daños accidentales o derivados; en cuyo caso las limitaciones y exclusiones anteriores no serán de aplicación. Hydrofarm, a su discreción, podrá reparar o sustituir el **AASFT24S** cubierto por esta garantía siempre que se devuelva al lugar original de compra. Para reclamar la garantía, devuelva el **AASFT24S** con el ticket de compra y el embalaje original al lugar de compra. La fecha de compra será la indicada en el ticket original.