
INSTRUCTIONS

POWERPAR[®]

4 FOOT LED FIXTURE



PPL44

INSTRUCTIONS

OVERVIEW

Thank you for purchasing the PPL44 4' LED Lighting Fixture. It is designed to be an ideal LED light source for propagation (cloning) and seedling growth when working with multiple standard nursery trays. This fixture is sized to light four standard trays in a rectangular configuration. It is suitable for dry and damp locations.

GETTING STARTED

Carefully remove components from box and ensure that your PowerPAR 4' LED Fixture box includes the following:

- (1) PPL44 LED fixture with reflector and integrated LED lamps
- (2) Wire hangers

Inspect the included components for any damage, missing parts, or other concerns. Contact your store in order to get a replacement or new part if required.

WARNINGS

- Before installing, servicing, or performing routine maintenance, follow these general precautions.
- Commercial installation, service and maintenance of luminaires should be performed by a qualified licensed electrician.
- For the installation: If you are unsure about the installation or maintenance of the luminaires, consult a qualified licensed electrician and check your local electrical code.
- Do not make or alter any open holes in an enclosure of wiring or electrical components during kit installation.
- Turn off the power and unplug fixture when you perform any maintenance.
- Verify that supply voltage is correct by comparing it with the luminaire's information label.
- DO NOT remove cover lens, except for cleaning. To clean lens, use a mild soap or detergent (e.g. common dishwashing liquid) and lukewarm water using a clean soft cloth.
- Removal of lens cover other than for cleaning will void warranty.
- DO NOT touch or wipe the LED strips. If cleaning is needed, use only compressed air can (e.g., air can for cleaning computer keyboards) to blow off the dust.
- Manual cleaning or touching of LED strips will void warranty.
- DO NOT remove the clear lens. If the lens needs to be cleaned, do not touch the individual LEDs.

CAUTION

- Avoid direct eye exposure to the light source while it is on.
- Account for small parts and recycle or destroy packing material, as these may be hazardous to children.

INSTRUCTIONS

INSTALLATION

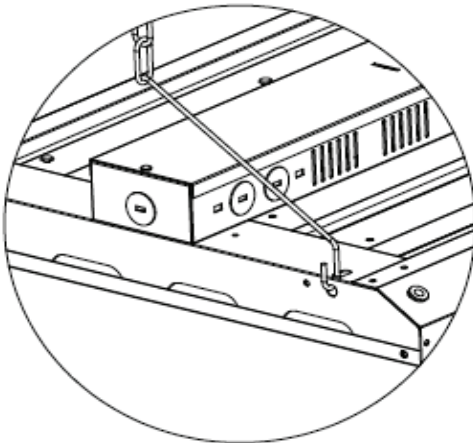
Be sure that the fixture is unplugged from the power source before installation.

1. Install each of the wire hangers into the pair of holes on either end of the top of the fixture (see illustration below). Make sure the wiring hangers are fully engaged into the holes.
2. Locate your ceiling joist with a stud finder. If you cannot locate the joist, insert expansion anchors into the ceiling. The anchors (and the hooks used with them) should be rated to hold at least 50 lbs each.
3. Screw an eyebolt, J-hook, or some other means of hanging the fixture securely from the ceiling into the joist or anchor. Screw a second eyehook further down the joist or in an anchor to balance hanging the fixture.
4. Attach a chain, rope, or other sturdy material to the eyehooks (we recommend Hydrofarm's Light Riser, item code LULIFT).
5. Secure the chain, rope, carabiner clips, etc. to the wire hangers.
6. Use a cable tie to secure the power cord to the hanging cord/chain so that the cord's weight doesn't tilt the fixture.
7. Adjust the fixture's height to the desired distance above the plant canopy.
8. Clean any residues/fingerprints from the lens with a soft cloth.

Congratulations. You are ready to power up your high output LED fixture!

NOTE: Do not remove or relocate the green ground screw.

NOTE: Specifications and dimensions subject to change without notice.



WARRANTY



LIMITED WARRANTY

Hydrofarm warrants the **PPL44** to be free from defects in materials and workmanship. The warranty term is for one year beginning on the date of purchase. Misuse, abuse, or failure to follow instructions is not covered under this warranty. Hydrofarm's warranty liability extends only to the replacement cost of the product. Hydrofarm will not be liable for any consequential, indirect, or incidental damages of any kind, including lost revenues, lost profits, or other losses in connection with the product. Some states do not allow limitation on how long an implied warranty lasts or the exclusion of incidental or consequential damages, so the above limitations or exclusions may not apply to you. Hydrofarm will, at our discretion, repair or replace the **PPL44** covered under this warranty if it is returned to the original place of purchase. To request warranty service, please return the **PPL44**, with original sales receipt and original packaging, to your place of purchase. The purchase date is based on your original sales receipt.

GARANTIE LIMITÉE

Hydrofarm garantit que le **PPL44** ne présente aucun défaut de pièces et main-d'œuvre. La période de garantie est d'un an à partir de la date d'achat. Une utilisation incorrecte, abusive, ou le non-respect des instructions n'est pas couvert(e) par cette garantie. La responsabilité de la garantie Hydrofarm couvre uniquement le coût de remplacement du produit. Hydrofarm ne pourra être tenu responsable des dommages consécutifs, indirects ou fortuits de tout type, y compris les pertes de revenus, de profits ou autres en rapport avec le produit. Certains états n'autorisent aucune limite concernant la durée de la garantie implicite ou l'exclusion des dommages fortuits ou consécutifs ; les limites ou exclusions mentionnées ci-dessus peuvent donc ne pas être applicables à votre cas. Hydrofarm se réserve le droit de réparer ou remplacer le **PPL44** couvert par cette garantie si celui-ci est renvoyé au lieu d'achat d'origine. Pour solliciter le service de garantie, veuillez renvoyer le **PPL44** avec sa facture et son emballage d'origine à votre lieu d'achat. La date d'achat est indiquée sur votre facture originale.

GARANTÍA LIMITADA

Hydrofarm garantiza que el **PPL44** no presentará defectos de fabricación. La garantía tendrá una duración de un año desde la fecha de compra. En caso de no respetarse estas instrucciones o de un uso inadecuado del producto, la garantía no cubrirá los posibles daños. La cobertura de la garantía ofrecida por Hydrofarm únicamente incluye los costes de sustitución del producto. Hydrofarm no será responsable de ningún daño indirecto, accidental o derivado de ningún tipo, incluyendo pérdidas de ingresos o beneficios, o cualquier otra pérdida relacionada con el producto. En algunos estados no se permiten limitaciones sobre la duración de una garantía implícita o la exclusión de los daños accidentales o derivados; en cuyo caso las limitaciones y exclusiones anteriores no serán de aplicación. Hydrofarm, a su discreción, podrá reparar o sustituir el **PPL44** cubierto por esta garantía siempre que se devuelva al lugar original de compra. Para reclamar la garantía, devuelva el **PPL44** con el ticket de compra y el embalaje original al lugar de compra. La fecha de compra será la indicada en el ticket original.