

## CK 8" B UL

### Description

The CK is an in-line centrifugal duct fan with high capacity and excellent reliability. The straight through radial fan is compact and very easy to install. It can cope with high pressure and long duct runs, whilst still operating at acceptable sound levels.

The CK range of fans have casings manufactured from galvanized steel and are moisture resistant. They are approved for installation in humid or damp environments being rated IP44 when installed in a duct system.

The fan speed can be controlled by voltage variation regulators. Several fans can be connected to the same controller providing the total rating of the controller is not exceeded.

The motors are an external rotor type asynchrony motor. They have maintenance free sealed ball bearings and are protected from over heating by thermo contacts.

The fans must not be used for transporting grinding dust, soot or similar.

UL file-number: E226987

### Technical data

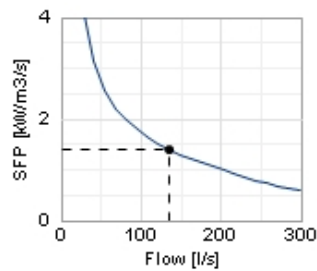
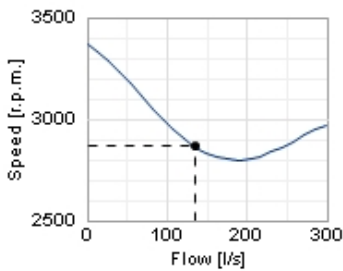
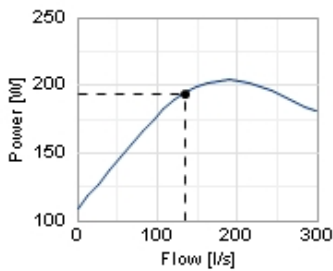
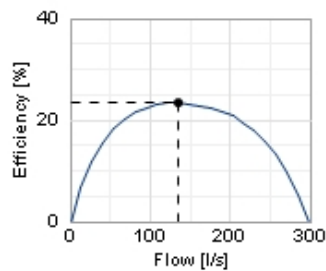
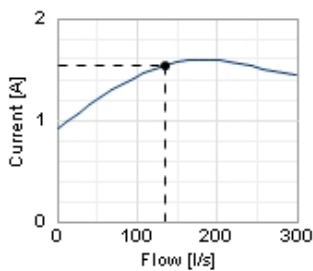
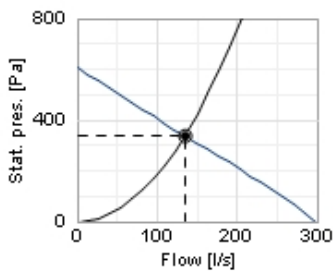
Parameter	value	Unit
Voltage	120	V
Phase	1	~
Frequency	60	Hz
Power	203	W
Current	1,58	A
R.p.m.	2800	r.p.m.
Max. temperature of transported air	60	°C
Max. temperature of transported air when speed-controlled	60	°C
Sound pressure level at 3 m	51	dB(A)
Length	228	mm
Width	344	mm
Height	344	mm
Weight	5,1	kg
Enclosure class, motor	44	IP
Insulation class, motor	F	
Capacitor	16	µF
Duct connection	8 "	



## Diagrams

○ Selected point

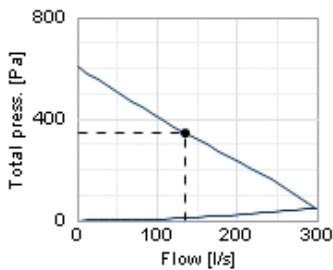
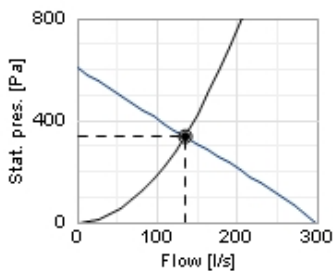
Flow [l/s]	134
Stat. pres. [Pa]	338
● Work point	
Flow [l/s]	134
Stat. pres. [Pa]	338
Power [W]	194
Current [A]	1,54
Speed [r.p.m.]	2866
Efficiency [%]	23,4
SFP [kW/m <sup>3</sup> /s]	1,41
Voltage [V]	120



## Sound

○ Selected point

Flow [l/s]	134
Stat. pres. [Pa]	338
● Work point	
Flow [l/s]	134
Stat. pres. [Pa]	338
Total press. [Pa]	348
Power [W]	194
Current [A]	1,54
Speed [r.p.m.]	2866
Efficiency [%]	23,4
SFP [kW/m <sup>3</sup> /s]	1,41
Voltage [V]	120

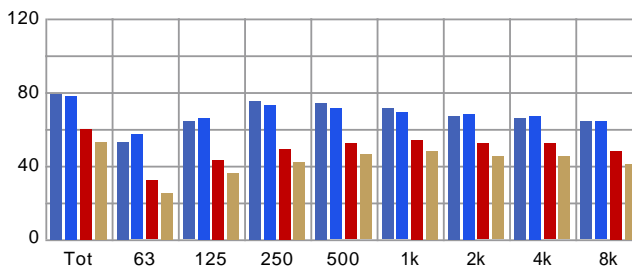


Distance: 3

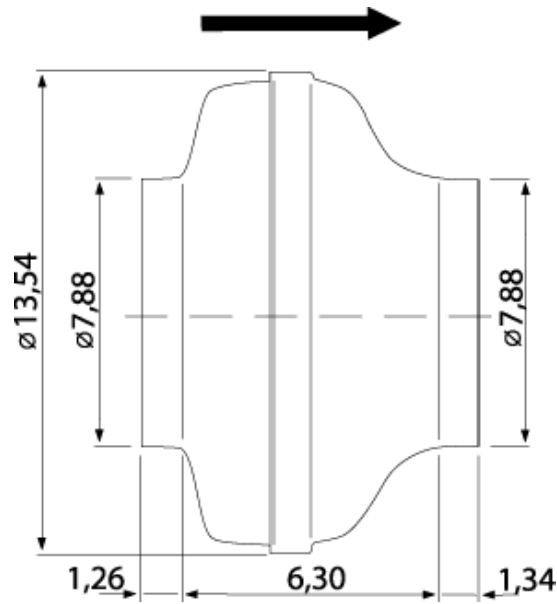
Propagation type: Semi-spherical

Equivalent absorption area: 20

	Tot	63	125	250	500	1k	2k	4k	8k
Inlet Lw dB(A)	79	53	64	75	74	71	67	66	64
Outlet Lw dB(A)	78	57	66	73	71	69	68	67	64
Surrounding Lw dB(A)	60	32	43	49	52	54	52	52	48
Surrounding Lp dB(A)	53	25	36	42	46	48	45	45	41

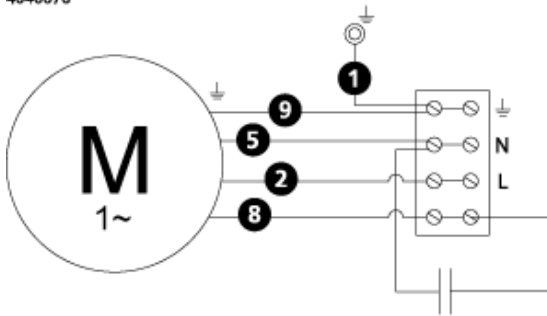


Dimensions



Wiring diagram

4040076



- (M) = Fan Motor
- (M1) = Fan Motor
- (M2) = Fan Motor
- (M3) = Rotor Motor
- 1 = Yellow/Green
- 2 = Black
- 3 = Blue
- 4 = Brown
- 5 = White (TW)
- 6 = Orange
- 7 = Grey
- 8 = Red
- 9 = Green
- 10 = Violet

Accessories

Accessories



MK 200