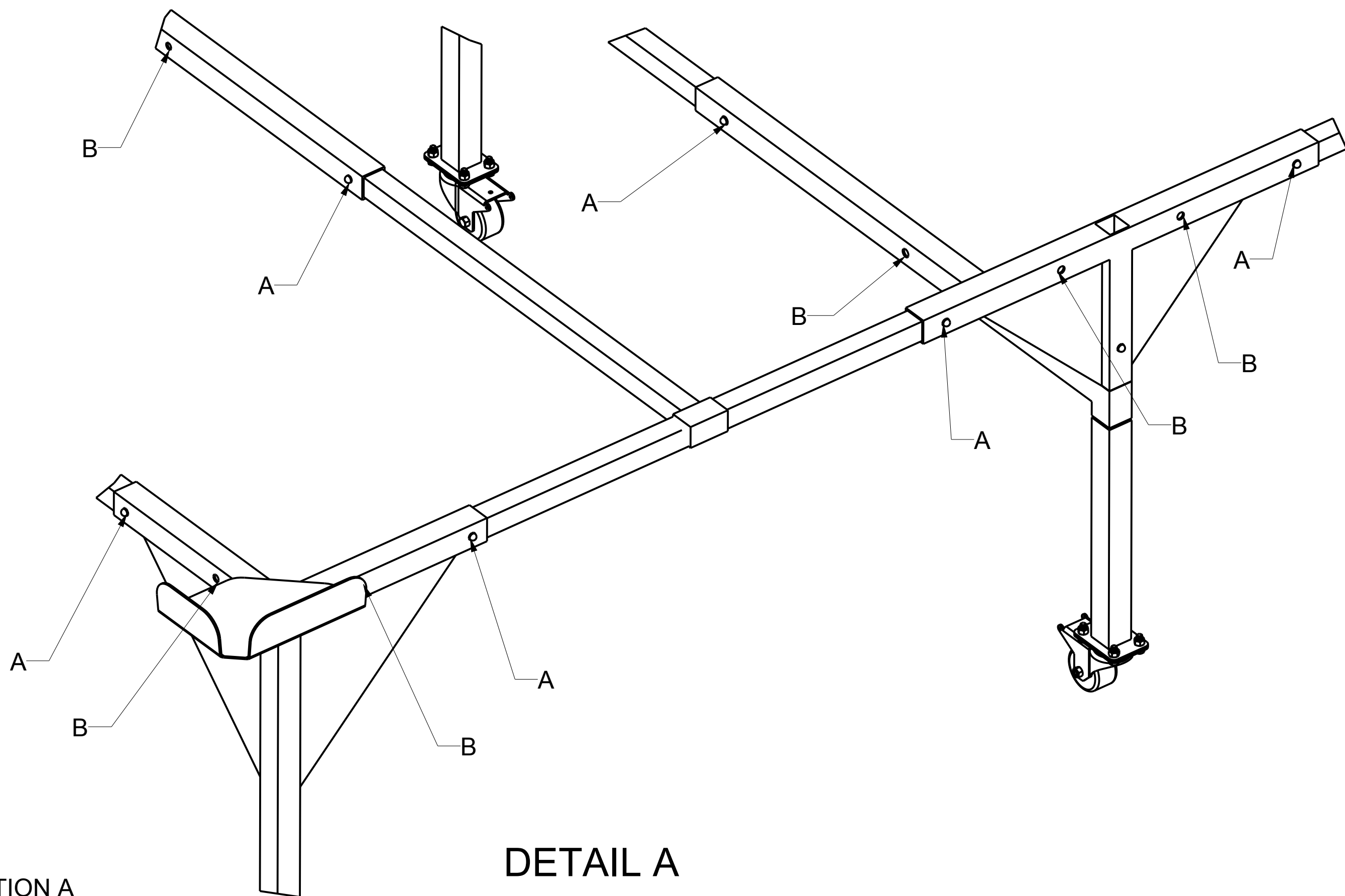


SEE DETAIL A



DETAIL A

4X8 TRAYS - ALL POSITION A
 3X6 TRAYS - ALL POSITION B
 4X6 TRAYS - LONG SIDES POSITION B, SHORT SIDES POSITION A