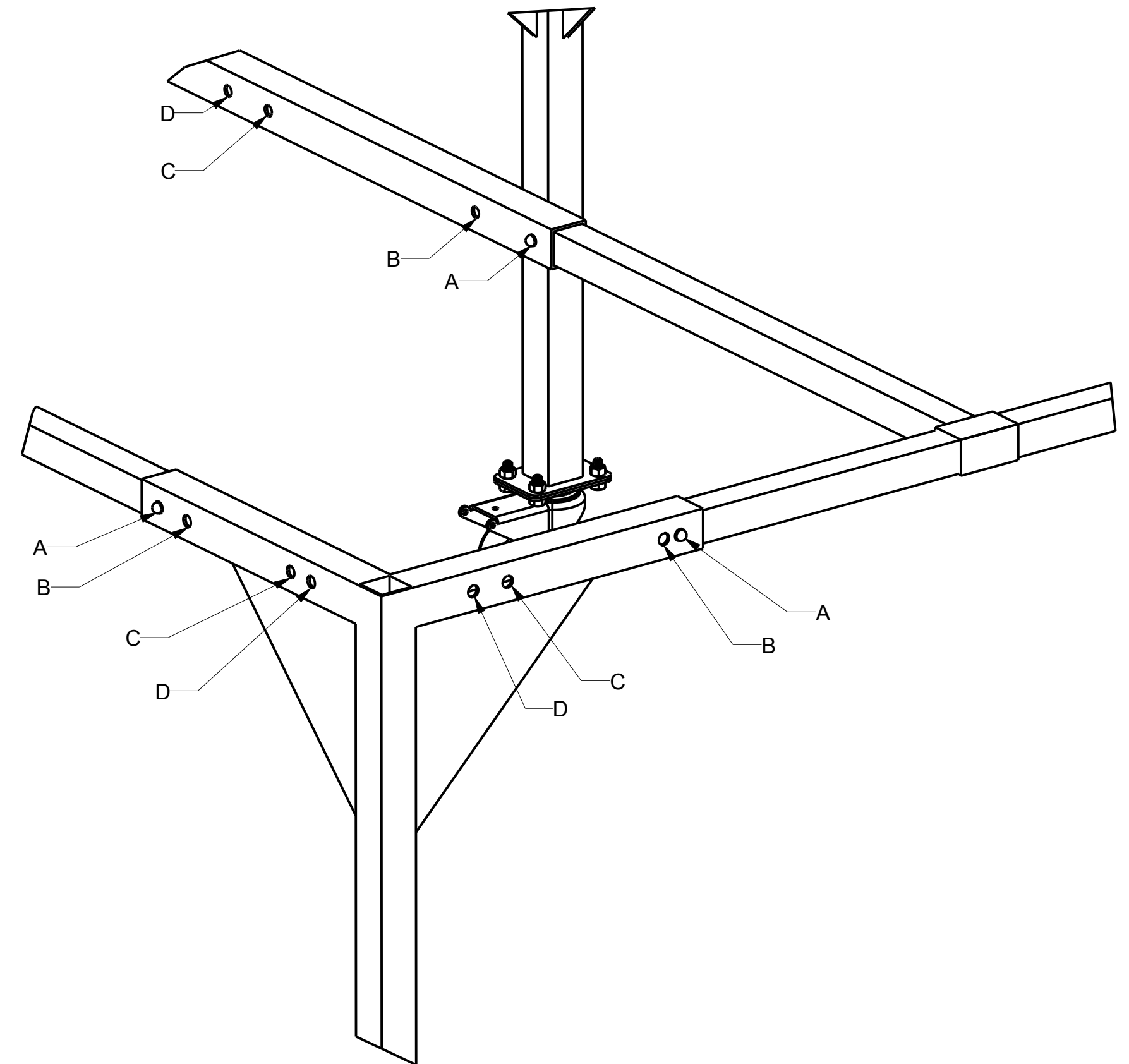
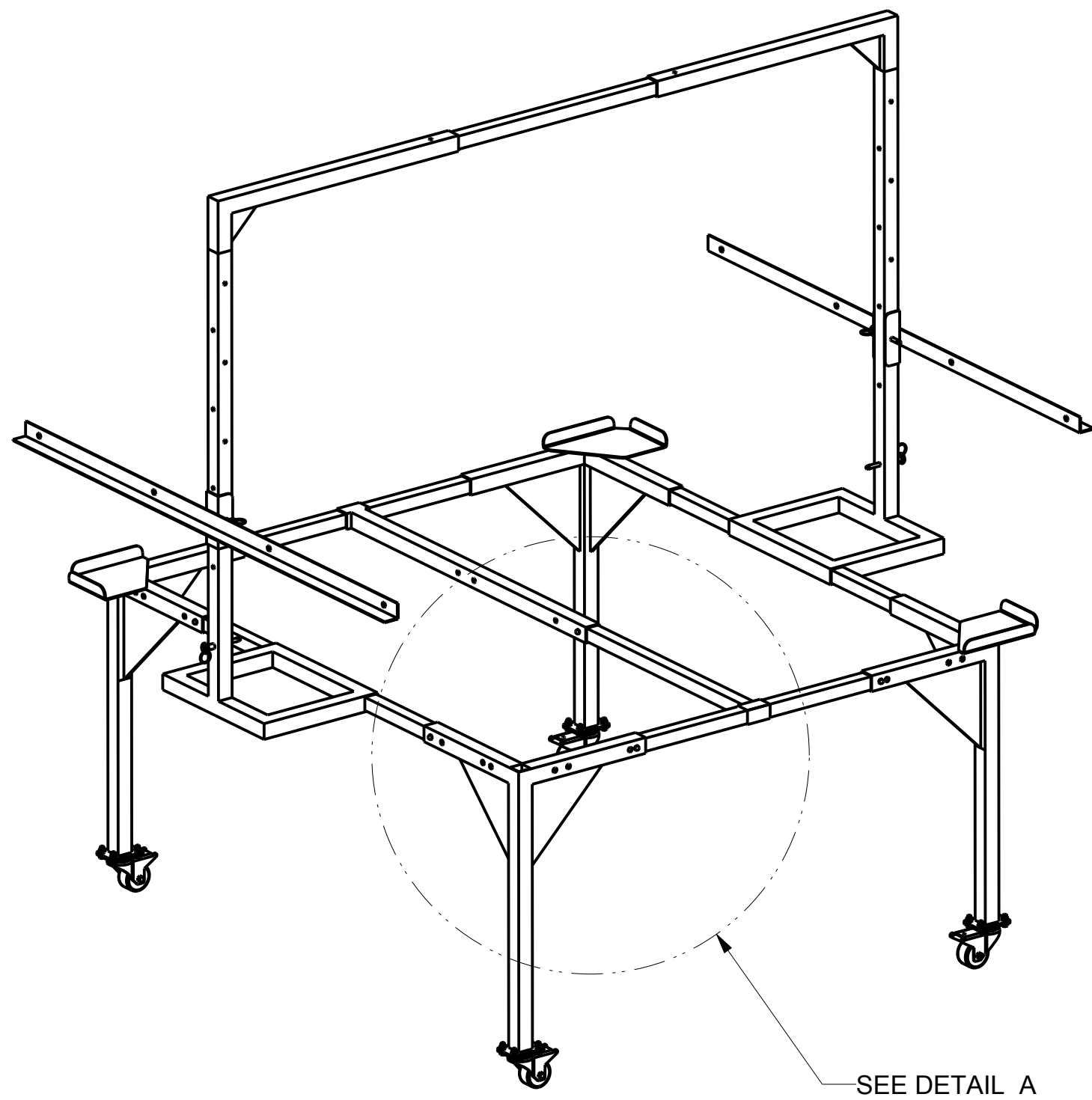


Medium Tray Stand Position Detail



- Position A - 4x4 Premium
- Position B - 4x4 Standard
- Position C - 3x3 Premium
- Position D - 3x3 Standard

*Applies to all corners, center support, and light bar.

Detail A